

threshold
technology

COMBI - Threshold System

Compatibility, Convenience, Comfort

SYSTEM

COMBI 20 mm threshold sealing systems provide extensive options for manufacturing single and double-leaf joinery while serving as the foundation for the COMBI PLAN 0.0 mm system and solutions tailored for the Dutch market.

SAFETY

High sealing parameters supported by certificates ensure trouble-free use and eliminate complaints and returns related to leakage.

ESTHETICS

Components produced from high-quality materials, with meticulous attention to the precise crafting of each element, meet the expectations of even the most demanding customers.

COMFORT

Low-profile or completely flat threshold sealing systems enhance comfort for users of private and public facilities.



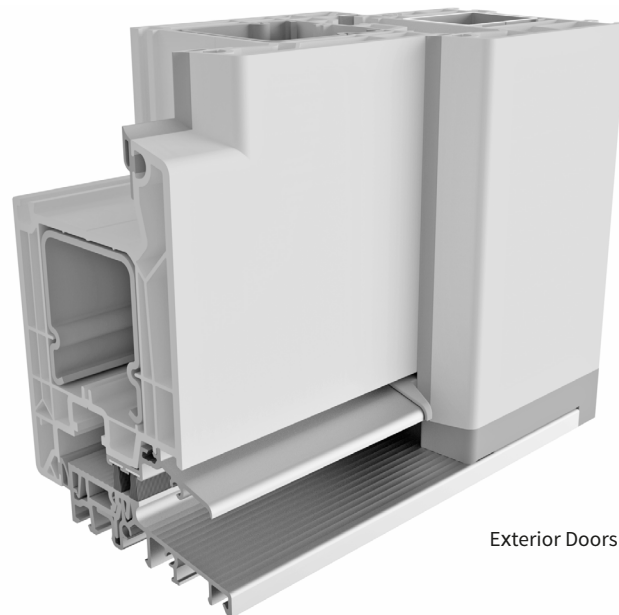
TESTED QUALITIES:

- Watertightness - up to class E900 (for balcony door constructions, 2-leaf with movable mullion) according to DIN EN 1027,
- Air permeability - up to class 4 according to DIN EN 1026,
- Burglar resistance RC2/RC2N according to DIN EN 1627:2011.

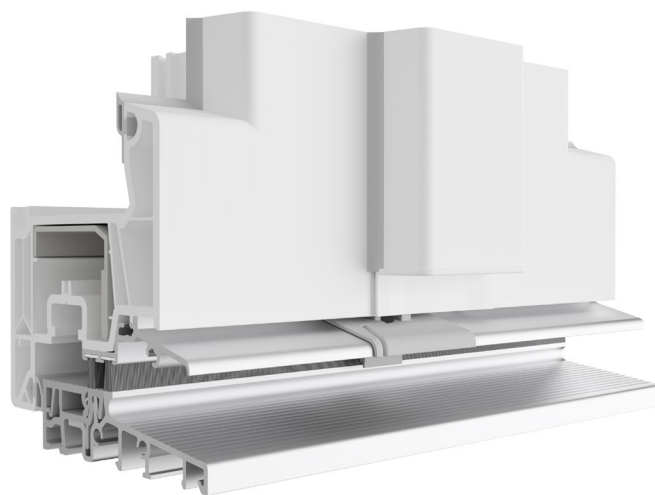
APPLICATIONS:

- For terrace and entrance doors,
- For doors opening both outward and inward,
- For casement and tilt-and-turn doors,
- For doors with fixed and movable mullions,
- For doors with fixed glazing,
- For doors made of PVC in systems: ALUPLAST, AVANTGARDE, GEALAN, IGLO, OVLO, PROFINE, REHAU, SALAMANDER, SCHÜCO, VEKA, WITAL,
- For doors made of wood with aluminum overlays,
- For doors in the Dutch system NL (selected profile systems)

NOTE: We carry out projects according to individual customer requirements.



Exterior Doors



Balcony Doors with Movable Mullion

**YEARS OF
EXPERIENCE**
in threshold
technology

The COMBI 20 mm threshold sealing system is not only a proven solution but also, with the addition of extra accessories, an excellent foundation for creating the COMBI PLAN zero threshold and NL systems in Veka SL82 and Gealan 9000-NL. It also offers very high sealing parameters supported by certificates, ensuring investment security.

For more information, please visit our website: alumaster.pl



We invite you to contact us at phone:
+48 56 623 13 23 or email:
alumaster@alumaster.pl



Alumaster Polska Sp. z o.o.
ul. Towarowa 7
87-100 Toruń, Poland



www.alumaster.pl